



Model 27XL-024*-4-MOD

Explosion-Proof Supervised LED Warning Light



Model 27XL-024*-4-MOD explosion-proof LED light produces 60 high-intensity flashes per minute. Model 27XL-024-4-MOD is unique to the market because it covers an entire range of possible mounting configurations – including dome up. This warning light operates on 24VAC/DC, with a 4-wire supervised power circuit.

The 27XL-024*-4-MOD features a standard low in-rush circuitry design that provides greater compatibility with factory automation control systems and less electrical interference with in-rush sensitive devices. Corrosion resistance is achieved with a powder coat finish applied over the copper-free aluminum housing.

Because it is easy to install and requires very low maintenance, it is ideal for use in areas such as oil rigs, mines, refineries, and chemical plants

FEATURES

- Approved for mounting in any manner-including dome up
- Available in 24VAC/DC
- Configurable to flashing or steady-burn mode
- Six lens colors
- 50,000 hour LED
- 3/4" NPT pendant, ceiling and wall mount options available
- PLC Compatible
- Dome guard optional
- UL and cUL Listed for Class I, Division 1, Groups C and D; Class II, Division 1, Groups E, F and G; Class I, Division 2, Groups A and B; and Class III
- Type 4X, IP66 enclosure
- Marine Rated

MODEL	VOLTAGE	OPERATING CURRENT	IN-RUSH CURRENT	FLASH RATE/MINUTE
27XL-024 *-4-MOD¹	24VAC/DC	380 mA	1.75 amps, 5.0 mS	60

* Indicates color: (A) Amber, (B) Blue, (C) Clear, (G) Green, (M) Magenta or (R) Red

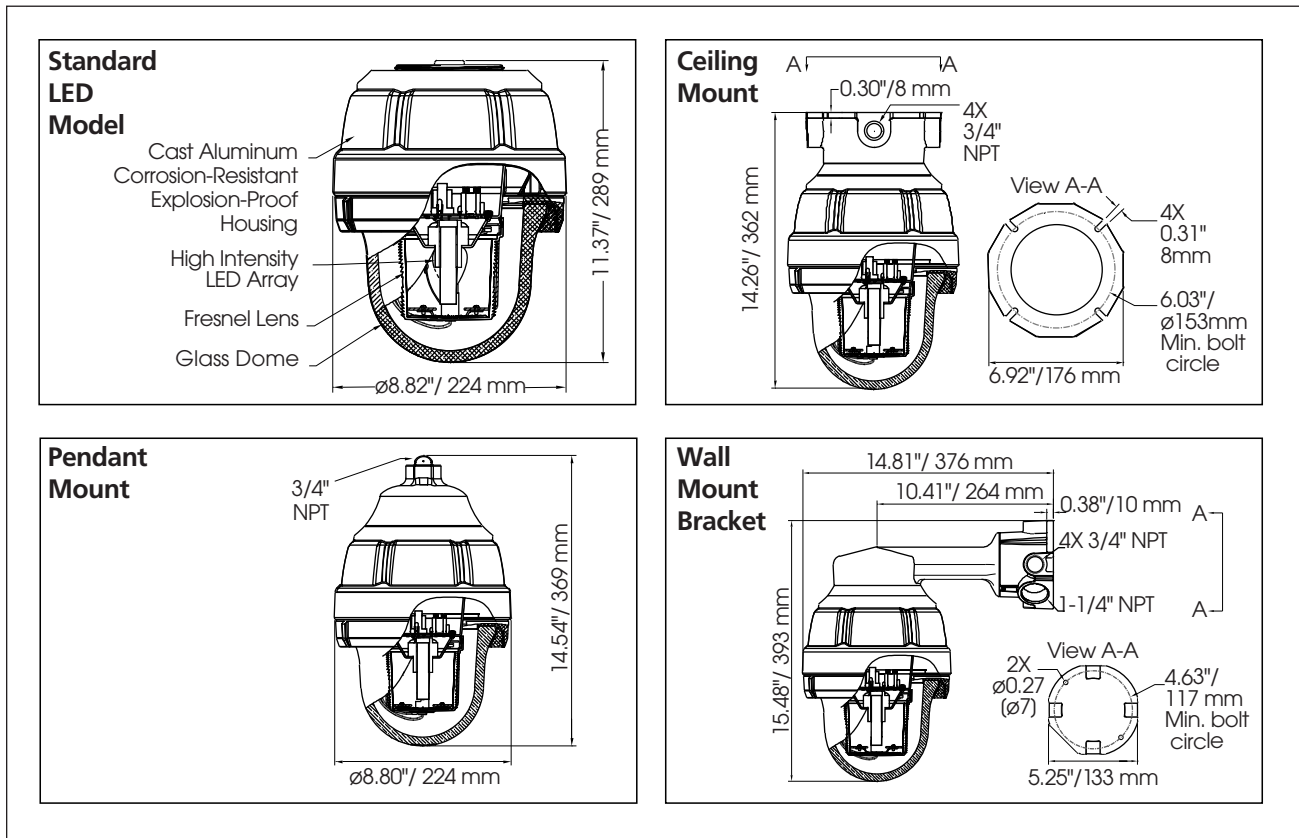
¹ See "how to order" for mounting options.

HAZARDOUS LOCATION RATING: 27XL-024*-4-MOD

T-CODE AT MAXIMUM AMBIENT TEMPERATURE, °C

Hazardous Location	40°C	55°C	66°C
	24VAC/DC	24VAC/DC	24VAC/DC
Class I, Division 1, Groups C, D	T6	T6	T6
Class I, Division 2, Groups A, B	T6	T6	T5
Class II, Division 1, Groups E, F, G	T6	T6	T6
Class III	T6	T6	T6

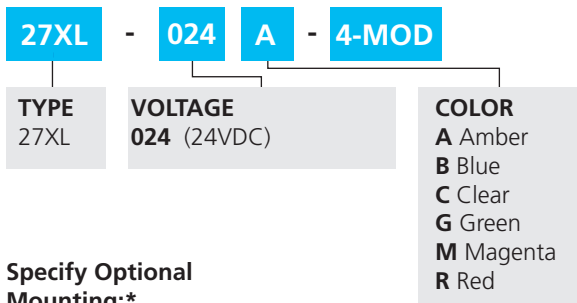
Explosion-Proof Supervised LED Warning Light (27XL-024*-4-MOD)



SPECIFICATIONS

Lamp Life:	50,000 Hours	
Light Source:	LED Array	
Operating Temperature Range:	-67°F to 150°F -55°C to 65°C	
Net Product Weight		
Signal without Mounting:	13.9 lbs	6.3 kg
Ceiling Mount:	4.5 lbs	2.0 kg
Pendant Mount:	2.0 lbs	0.9 kg
Wall Mount:	5.9 lbs	2.7 kg

HOW TO ORDER



Specify Optional Mounting:*

Description	Part Number
Ceiling Mount	CMXC-SB
Pendant Mount	PMXC-SB
Wall Mount	WMXC-SB

* Mounting kit must be ordered with unit, sold separately

REPLACEMENT PARTS

Description	Part Number
Exterior Dome Assembly, Clear	K8436147A
Interior Lens Assembly, Amber	K8550292A-02
Interior Lens Assembly, Blue	K8550292A-01
Interior Lens Assembly, Clear	K8550292A
Interior Lens Assembly, Green	K8550292A-04
Interior Lens Assembly, Magenta*	K8550292A-05
Interior Lens Assembly, Red	K8550292A-03
PC board assembly, 24VDC	K2005455A
LED array, Amber	K14700030A-A
LED array, Blue	K14700030A-B
LED array, Clear*	K14700030A-W
LED array, Green	K14700030A-G
LED array, Red	K14700030A-R

*Order LED array, Clear with the Magenta Interior Lens Assembly.

OPTIONAL ACCESSORIES

Description	Part Number
Dome Guard	DGXC-SB