

► Model 300MB

# CommCenter® Digital Message Center



The Federal Signal CommCenter® Model 300MB broadcasts pre-recorded voice messages, melodies, tones and signals over SelecTone® and public address systems. The 300MB replaces outdated loop tape units with superior, high-quality audio playback. The 300MB is remotely activated via contact closures.

Melodies, voice messages, tones and signals are available, including the pre-recorded CommCenter Standard Library and optional custom recorded messages. Units can be interconnected for greater message capacity.

CommCenter's digital messaging capability is ideal for emergency evacuation announcements. Clear, concise, pre-determined instructions can be broadcast over a SelecTone or public address system. The CommCenter's pre-recorded melodies can convey the status of a process or machine without interrupting the flow of production in surrounding areas. Voice messages in any language can alert operators to emergency situations.

The CommCenter offers quality and versatility to public address systems that broadcast repetitive, prerecorded messages.

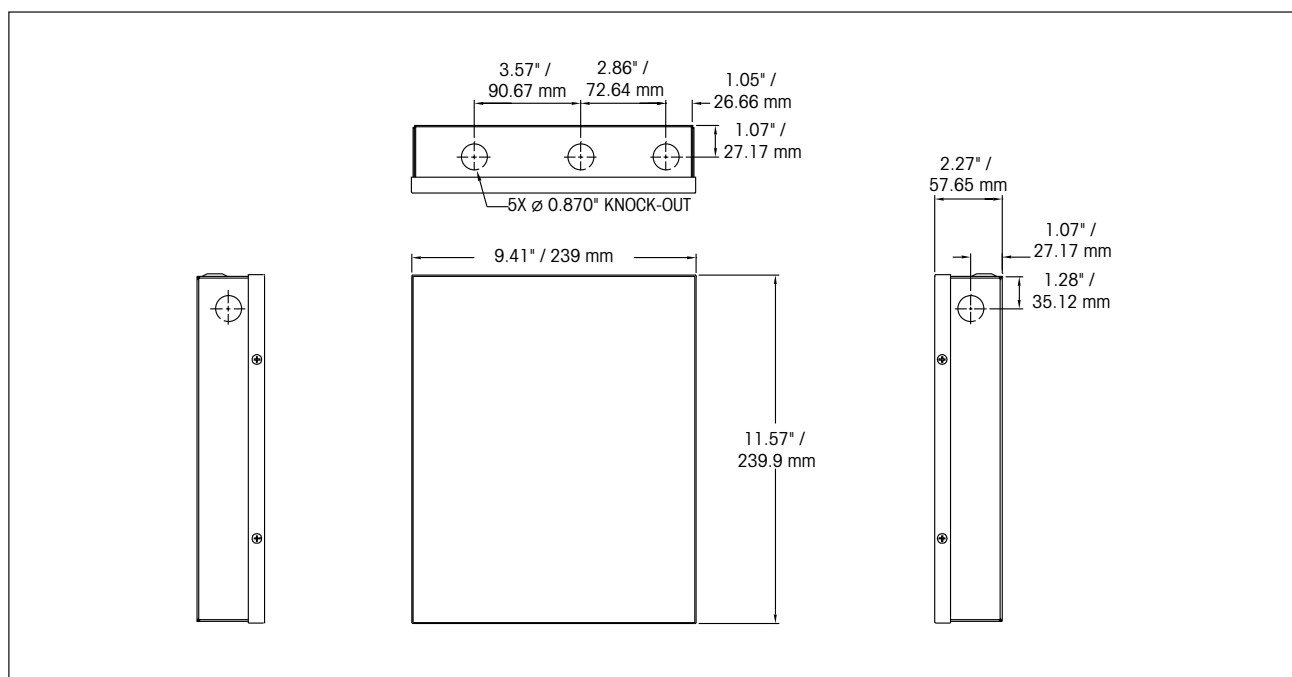
## FEATURES

- Multi-voltage design accepts 24VDC, 120VAC or 240VAC
- High-quality, non-volatile playback
- Stores up to six voice messages, melodies, tones and signals
- Messages can be up to 30 seconds in length (180 second total capacity)
- Expandable and prioritized
- Type 1 enclosure
- UL Listed and cUL Listed

MODEL	VOLTAGE	OPERATING CURRENT	STANDBY CURRENT
<b>300MB</b>	24VDC	0.8 amps	0.09 amps
	120VAC 50/60Hz	0.2 amps	0.05 amps
	240VAC 50/60Hz	0.1 amps	0.02 amps

\* Indicate number of messages up to six.

## CommCenter® Digital Message Center (300MB)



### SPECIFICATIONS

Ambient Operating Temperature:	32°F to 140°F	0°C to 60°C
Tone Output Levels Max. Load:		
Unbalanced Signal Line	10 Vrms (25 Ohm max)	
Balanced Signal Line	25 Vrms (40 Ohm max/15 watt)	
Audio Input:		
Input Impedance	5K Ohms	
Input Voltage	1V P-P (max)	
Signal to Noise Ratio (<1.5% THD):(chip input)	67 dBa	
Signal Frequency Response:	250Hz to 3.4KHz	
Net Weight:	5.5 lbs	2.5 kg
Shipping Weight:	6.6 lbs	3.0 kg
Height:	11.57"	293.9 mm
Width:	9.41"	239.0 mm
Depth:	2.27"	57.7 mm

### HOW TO ORDER

#### Specify Model:

**300MB** – CommCenter Digital Message Center

Specify number of messages (up to six)

Choose message source(s):

- a. Select from Standard Library (Reference [www.fedsig.com/resource-library](http://www.fedsig.com/resource-library))
- b. Provide script to be recorded in studio (additional charge incurred)
- c. Provide electronic file (additional charge incurred)

Specify the priority of the messages

### REPLACEMENT PARTS

Description	Part Number
Blank Message Module	RMB9999SD
Pre-recorded Message Module (Please specify message)	RM1SD