



► Model ECHO E-MDS and E-MDSG

Administrative Master Station

Federal Signal Model E-MDS Management Station is used with ECHO® Systems to provide hands-free or private handset duplex two-way voice communication. The LCD call status display provides the ability to review and respond to Substation calls out of sequence. Programmable buttons provide single touch access for features such as Conference, All-Call and Group Call. The large, easy to read LCD display provides vital information to identify the name and location of each calling party, name and number directory as well as an on-line help menu to personalize station features.

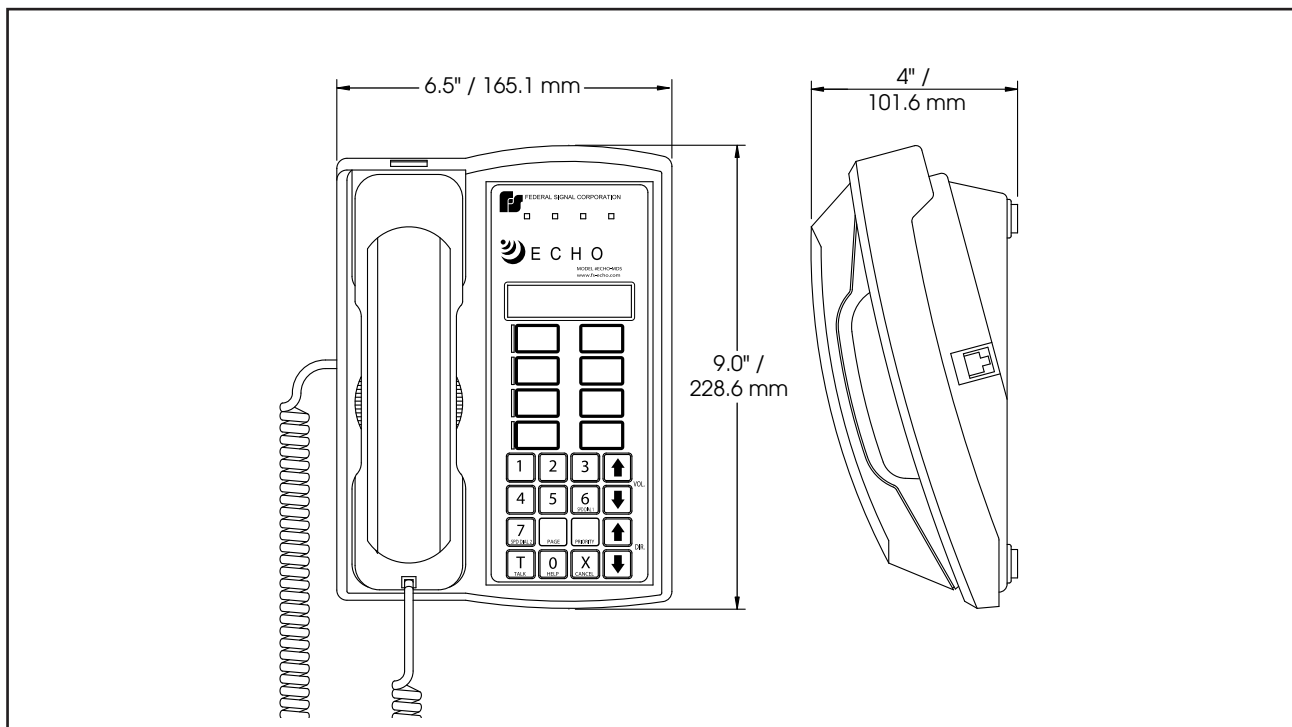
The E-MDS Management Station can be programmed to call any other station in the system. Calls from other masters may be programmed to ring or answer automatically in the speakerphone mode. Master-to-Master calls may manually Camp-on, Message-wait and Pre-empt. Calls from Substations will be stacked in a que by priority and may be answered or reviewed in any order. Substations may each be assigned any of 10 text call messages for Routine or Emergency levels with selectable locking or Non-locking status. Substations can be programmed to report to one, several, or all E-MDS Management Masters. In the Night Mode, one Management Station can assume ownership of another's substations. The keypad volume control keys may be used to adjust voice and ring levels.

This compact unit may be used in a desk top or surface wall mount application. The unit is equipped with a handset, panel microphone and speaker. The flush membrane keypad provides tactile and audible feed back for positive activation. The Model E-MDSMG is furnished with a gooseneck push-to-talk microphone.

F E A T U R E S

- Multiple simultaneous substation call stacking and display
- 10 levels of priority for substation calls
- Flexible substation ownership
- All-call and priority all-call
- Available with gooseneck microphone
- Audible alert with tone silence and resound
- Partitioning
- Call placed indicators; routine and emergency
- Desktop or wall mount
- Call engineer light, system diagnostics and alert tone
- CE Certified

Administrative Master Station (E-MDS and E-MDSG)



SPECIFICATIONS

Operating Voltage:	24VDC nominal (line driven from ECHO control)
Current Idle:	25 mA
Current Connected:	100 mA
Microphone Type:	Electret
Microphone Sensitivity:	-70dBA
Audio Output:	1.0 watt
Enclosure Material:	ABS
Display LCD:	2 lines, 16 characters/line
Volume Control via Keypad:	30dBA in ten steps
Keypad Construction:	Membrane Keys
Line Attenuation:	24dBA@160kb/s Max
Loop Resistance:	170 Ohm Max
Distance:	2km (1.2 miles) Max
Cable:	One twisted pair, non-shielded
Termination:	Plug-in screw terminal, non-polar

Net Weight:	2.2 lbs	1.0kg
Shipping Weight:	2.5 lbs	1.1kg
Shipping Dimensions:	10.5" x 7" x 7.5" 267mm x 178mm x 191mm	

HOW TO ORDER

Specify Model:

E-MDS – Desk or wall mounted administrative master station with membrane keypad

E-MDSMG – Desk or wall mounted administrative master station with 415mm gooseneck microphone instead of a panel microphone

OPTIONAL ACCESSORIES

	Description	Part Number
	Fiber Optic Interface	ECHO-FOTI