



► Model ECHO EWP Series

## Weather Proof Digital Intercom Stations

Federal Signal Model EWP Series ECHO Intercom Stations provide safe and efficient two-way voice communications in ECHO Digital Intercom Systems.

The EWP Series ECHO station provides instantaneous high-speed connections and clear, crisp digital voice quality. Each station offers single-button all call, priority emergency paging, group paging, speed dial, conference call, and relay output.

Any station can call any other station(s) in an ECHO Digital Intercom System. With the headset or gooseneck microphone options, each is capable of hands-free voice communication. Because the ECHO Digital Central Exchange provides 30 channels of simultaneous communication, calls are processed and connected immediately without dial tone or delay.

The Station keypad is designed to provide tactile and audible feedback (via external powered loudspeaker) for a positive activation. Each station may be programmed for four levels of privacy for receiving calls; non-private, semi-private, full privacy and do-not-disturb. Volume for voice and signal levels are easily adjusted on the keypad.

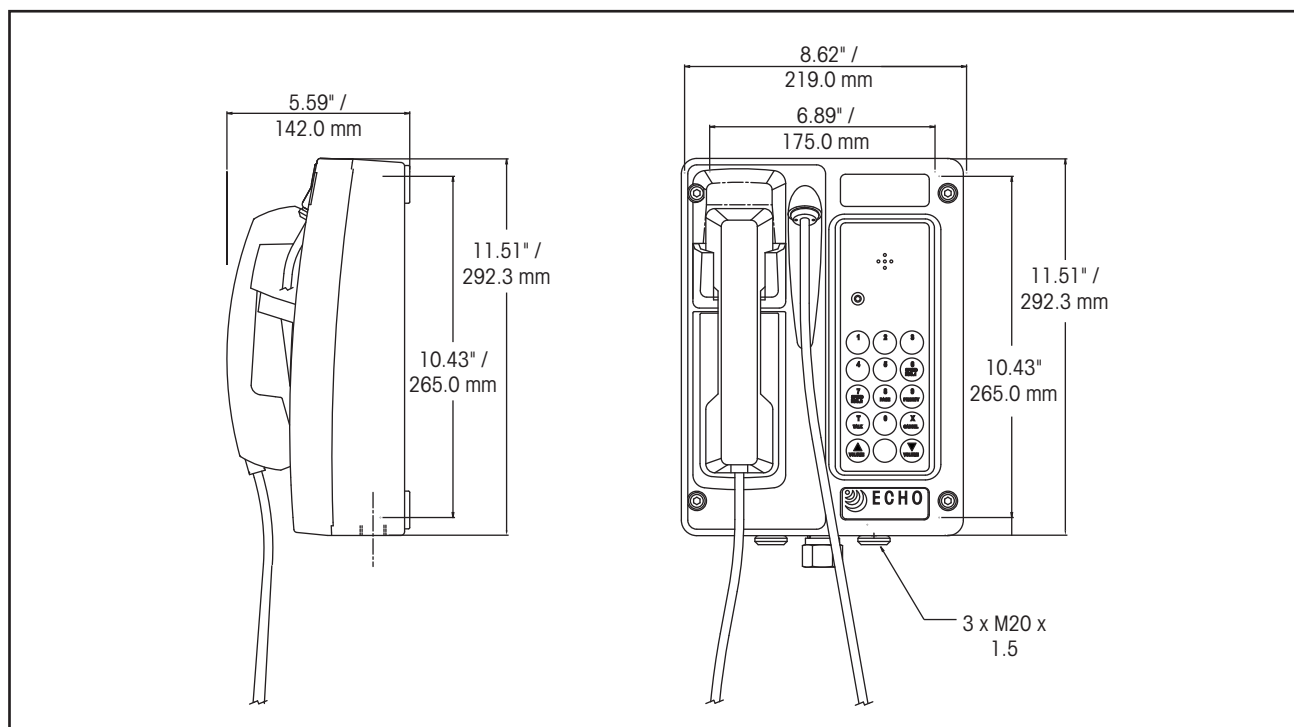
Each Station is constructed of heavy duty glass reinforced polyester (GRP), equipped with a weatherproof keypad, and are rated for use in IP66 dust- and water-tight applications.

Stations can be ordered with polyurethane curly cord, stainless steel cord, headset (with optional extension), stubby microphone or gooseneck microphone.

### F E A T U R E S

- Weather and corrosion resistant design
- Private full duplex handset communication
- Headset, gooseneck microphone and handset options
- Single touch speed dialing
- Group call, all-call, priority call
- Simple one pair wiring
- Output to powered loudspeaker
- IP66
- CE Certified

## Weather Proof Digital Intercom Stations (EWP Series)



### SPECIFICATIONS

Operating Voltage:	24VDC nominal (line driven from ECHO control)
Current Idle:	25 mA
Current Connected:	100 mA
Handset Microphone Type:	Dynamic
Handset Material:	Moulded Polyurethane
Stubby Microphone Type:	Dynamic
Stubby Microphone Sensitivity:	-54dBA
Stubby Microphone Enclosure:	Stainless Steel
Audio Output:	2.7 Vrms / 1.0k Ohm load
Volume Control via Keypad:	30dBA in ten steps
Line Attenuation:	24dBA@160kb/s Max
Loop Resistance:	170 Ohm Max
Distance:	1.2 miles/2.0km Max
Cable:	One twisted pair, non-shielded
Cable Entries (bottom):	3 x M20
Operating Temperature Range:	-35°C to 50°C (T6)
Termination:	EExe screw terminal block
Relay Switching Capacity:	3A at 240VAC
Net Weight:	9.5 lbs / 4.3kg
Shipping Weight:	11.1 lbs / 5.1kg
Shipping Dimensions:	16.25" x 9.5" x 9.25" 413mm x 241mm x 235mm
Certificate Number:	BAS01ATEX2306X
Classification Marking:	II 2 G EEx meib IIC T6
Ingress Protection:	IP66 (IP65 on handset)

### HOW TO ORDER

#### Specify Model:

- EWP-HND-C** – Handset, .35m to 5m curly cord
- EWP-HND-S** – Handset, 1.0m stainless steel cord
- EWP-JS** – Jack station
- EWP-SM** – Station with Stubby Microphone (65mm)
- EWP-GM1** – Gooseneck microphone, 260mm
- EWP-GM2** – Gooseneck microphone, 440mm
- EWP-GM3** – Gooseneck microphone, 590mm

### OPTIONAL ACCESSORIES

Description	Part Number
Headset	K137200A-01
Potted relay assembly, EWP	K8601241A
10m Headset extension cord	K1751234A
Handset with 2.5m to 15m curly cord (detachable)	K8601272A